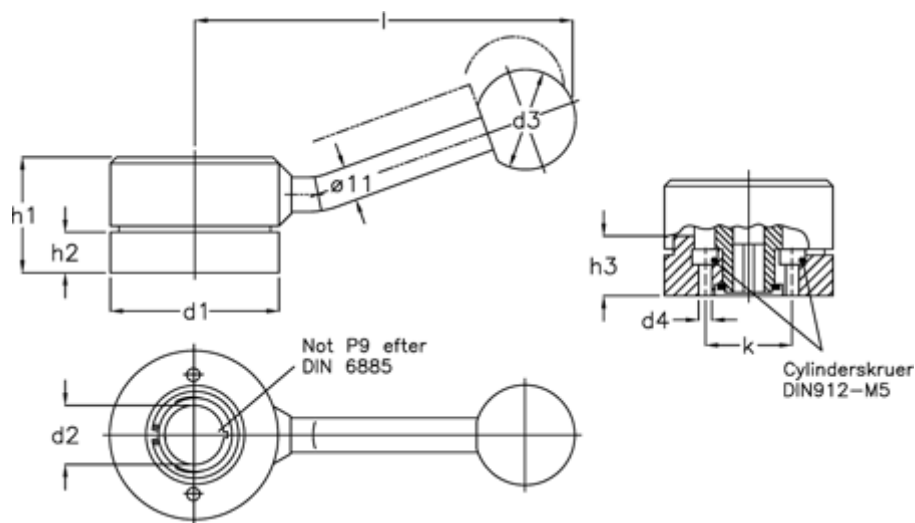


Article number: 20615526

Description: E+G Indexing lever  
GN 215-54-K12-A

## Measures



$d1 = 54$

$K = 30$

$d2 = K12$

Length  $l = 122$

$d3 = 32$

$W = 22^\circ$

$d4 = 5.2$

$d5 = 44.5$

$h1 = 37$

$h2 = 13$

$h3 = 16.5$